

# Jacob 2-Way Valves

Top Quality At Competitive Prices!

- Designed for gravity flow of granular, free flowing products.
- 60 degree outlets, 50 degree for valves above 12" (300mm) dia.
- Available 4" (100mm) up to 16" (400mm) dia., special order >16" (400mm).
- Available in mild steel, stainless steel and galvanized.



## Smooth Contour

- Manufactured from stamped half-shells, eliminating cross welds and areas of product build up.



## Inner Collar

- Overlapping inner collar to help direct product flow to the selected outlet.



## Center Shaft

- Center shaft combined with oversized scoop enhances product flow.

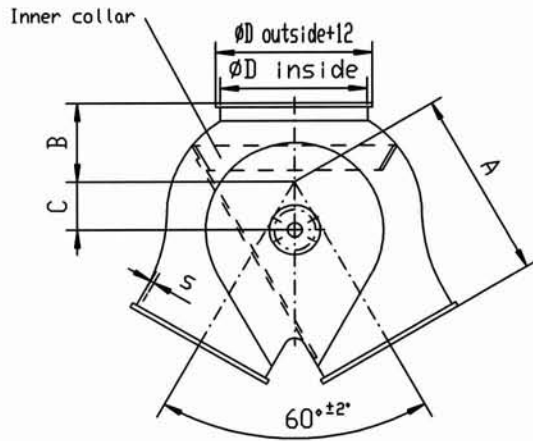


# JACOB

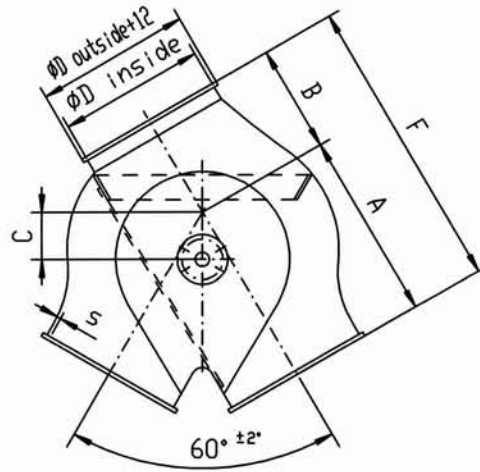
Modular Tubing Systems

Jacob Tubing. L.P.  
3948 Willow Lake Blvd. • Memphis, TN 38118  
Mailing Address:  
P.O. Box 754000 • Memphis, TN 38175  
Phone: 901-566-1110 • Fax: 901-566-1910  
[www.jacob-tubing.com](http://www.jacob-tubing.com)

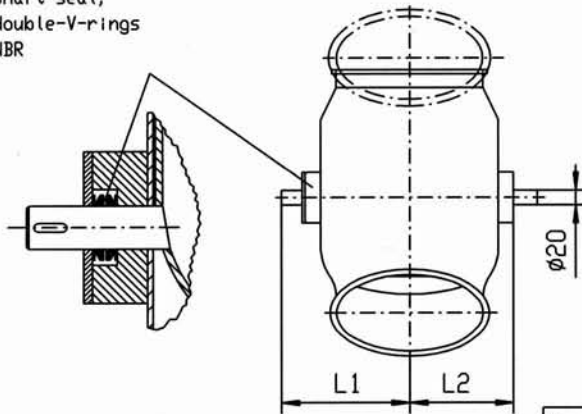
Symmetrical  
two-way valve



Asymmetrical  
two-way valve



shaft-seal,  
double-V-rings  
NBR



Installation position :

Can only be installed in the position shown on drawing.

Applications :

For granular products - gravity flow

Please inquire for special applications.

Operating devices :

Actuators can be mounted on either side.

Two-way valve should not be operated during product flow.

All dimensions given in mm

$\varnothing$ Tube	100	120	150	175	200	250	300
symmetrical two-way valves	A	135	160	200	218	265	325
	B	50	50	80	63	110	85
	C	41	54	60	75	81	110
asymmetrical two-way valves	A	135	160	200	218	262	325
	B	65	70	100	90	148	180
	C	41	54	60	75	72	110
	F	200	230	300	308	410	505
$\varnothing D$ inside	99	119	149	148	174	198	298
s	2	2	2	3	2	3	3
L1	118	129	146	159	178	199	225
L2	88	99	116	129	148	169	195
weight in kg	3.8	4.6	6.8	8.4	7.7	14.4	23.2

Description:

Two-way valve  
without actuation

Date

17. 01. 2001

Drawing-No.

11/512

Index