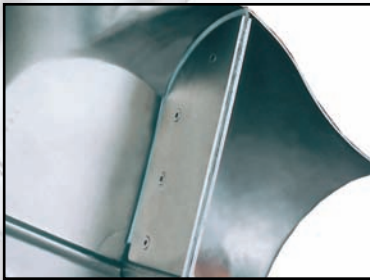


Jacob Dosing Valves

Top Quality At Competitive Prices!

- Designed for ventilation systems and gravity flow of bulk goods, granular and powder.
- Manufactured from stamped half-shells, eliminating cross welds and areas of product build up.
- Suitable for low pressure conveying systems.
- 60 degree outlets, 50 degree for valves above 12" (300mm) dia.
- Available 4" (100mm) up to 16" (400mm) dia., special order >16" (400mm).
- Available in mild steel & stainless steel.



Replaceable Gasket

- NBR sheet gasket.
- Temperature resistant up to 265 F (130 °C).
- Other material available for customer specific need.
- FDA approved.



Stamped Groove

- Stamped during manufacturing process.
- Designed to mate with flap gasket.
- Assures accurate seal.



Increased Angle Of Flow

- Shaft positioned between pant legs.
- Increases angle of flow.
- Reduces product deformation.



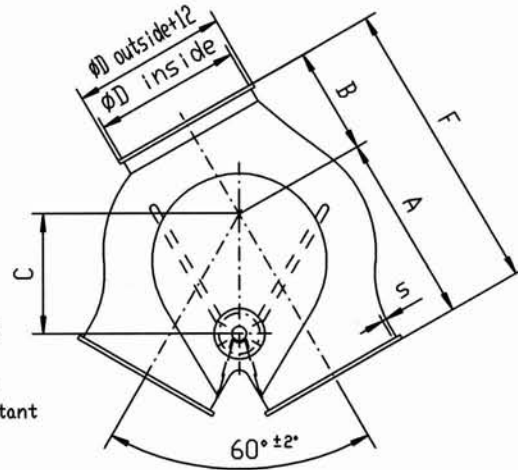
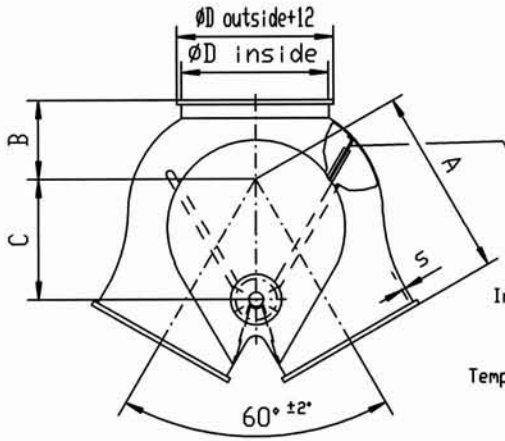
JACOB

Modular Tubing Systems

Jacob Tubing. L.P.
3948 Willow Lake Blvd. • Memphis, TN 38118
Mailing Address:
P.O. Box 754000 • Memphis, TN 38175
Phone: 901-566-1110 • Fax: 901-566-1910
www.jacob-tubing.com

Symmetrical
Dosing Valve

Asymmetrical
Dosing Valve



Inner seal, NBR
Food quality
Oil resistant
Temperature resistant
to +80°C

Installation positions :

For gravity flow as shown.
For pneumatic conveying any position.

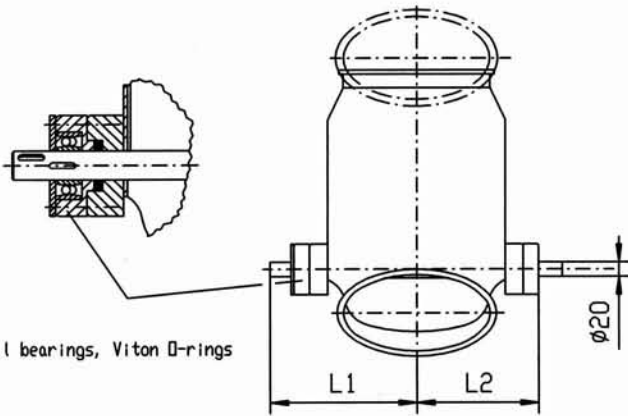
Applications :

For gravity flow and light conveying.

Please inquire for special applications.

Operating devices :

Actuators can be mounted on either side.



Ball bearings, Viton O-rings

Safety advice DIN 34

All dimensions given in mm

ϕ Tube	100	120	150	175	200	250	300
symmetrical dosing valves	A	135	160	200	218	265	325
	B	50	50	80	63	110	85
	C	87	112	136	170	167	249
asymmetrical dosing valves	A	135	160	200	218	262	325
	B	65	70	100	90	148	180
	C	87	112	136	170	167	249
	F	200	230	300	308	410	505
ϕD Inside	99	119	149	148	174	198	248
s	2	2	2	3	2	3	3
L1	140	148	168	198	199	220	264
L2	110	118	138	168	169	190	234
weight in kg	5.6	6.4	8.6	10.5	9.5	14.0	22.8

Description:

Dosing Valve
without actuation

Date 05. 01. 2001

Drawing-No. 11/513
Index

Subject to technical alterations

20.503\20503E02