

OPTIMIZE YOUR PROCESSING WITH JACOB MULTI-PORT DISTRIBUTORS



TURN-HEAD DISTRIBUTOR 45° AND 60°



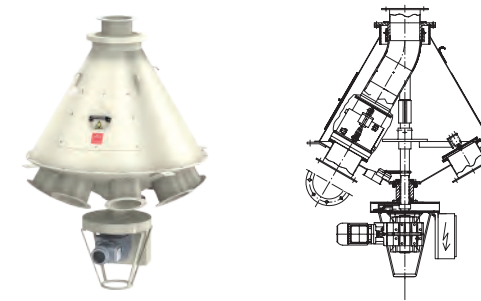
For distributing bulk goods by gravity without overpressure inside the tubing system.

DUST-TIGHT TURN-HEAD 45° AND 60°



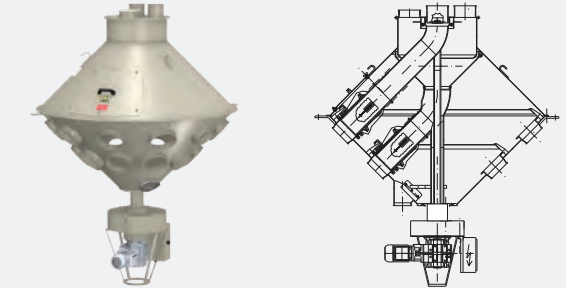
For distributing bulk goods by gravity up to maximum 1 bar overpressure inside the tubing system depending on the diameter. Sealing of the turn-pipe outlets by pneumatic pressing on to outlet sleeves.

MULTI-PORT TURN-HEAD 60°



For pneumatic conveying of bulk goods, overpressure inside the system up to diameter 150mm maximum 3 bar, diameter 200 - 250mm maximum 2 bar. Mounting position can be chosen, however must be indicated when placing the order. Sealing of the turn-pipe outlets by pneumatic pressing on of the telescopic pipe on to outlet sleeves. Outlets not in use pneumatically are blanked off.

TWIN-PIPE TURN-HEAD 45° AND 60°



For distributing bulk goods by gravity without overpressure inside the tubing system. Feeding from the top through 2 turn-pipes, working in opposite directions toward the requested outlet inside of a closed casing (not simultaneous).

HOUSING DESIGN

- Product infeed from top through rotary pipe to the selected outlet.
- Mounting = vertical (standard)
- Sealing on outlet by (2) springs
- Carbon steel housing and internals
- Rotary pipe angle = 45°, 60°
- Inlet/outlet* = 100mm-300mm (4"-12")
- # outlets* = 4, 6, 8, 10, 12, 14, 16, 18, 20

- Product infeed from top through rotary pipe to the selected outlet.
- Mounting = vertical (standard)
- Sealing on outlet by pneumatic cylinder
- Carbon steel housing and internals
- Rotary pipe angle = 45°, 60°
- Inlet/outlet* = 100mm-300mm (4"-12")
- # outlets* = 4, 6, 8, 10, 12, 14, 16, 18, 20

- Product infeed from top through rotary pipe to the selected outlet.
- Mounting = vertical (standard)
- Sealing on outlet by pneumatic cylinder
- Carbon steel housing and internals
- Rotary pipe angle = 60°
- Inlet/outlet* = 80mm-200mm (3"-8")
- # outlets* = 4, 6, 8, 10, 12, 14
- Blanking off of unused outlets
- DIN flanges on inlet/outlets

- Product infeed is from top through rotary pipe to the selected outlet.
- Mounting = vertical (standard)
- Sealing on outlet by (2) springs
- Carbon steel housing and internals
- Rotary pipe angle = 45°, 60°
- Inlet/outlet* = 120mm-250mm (5"-10")
- # outlets* = 8, 10, 12, 14, 16, 18, 20

PRODUCT CONVEYING

- For gravity conveying ONLY.
IMPORTANT: No operation during product flow.

- For gravity or pneumatic conveying (14.5psi/1-bar).
IMPORTANT: No operation during product flow.

- For gravity or pneumatic conveying.
 - o 80-150mm dia. = 43.5psi/3-bar
 - o 200mm dia. = 29psi/2-bar**IMPORTANT: No operation during product flow.**

- For gravity conveying ONLY.
IMPORTANT: No operation during product flow.

UTILITY REQUIREMENTS

- Driven by electric gear motor
- Position indicated by proximity switches.
NOTE: Customer must provide voltage required.
NOTE: Controls by others.

- Driven by electric gear motor
- Position indicated by proximity switches.
NOTE: Customer must provide voltage required.
- Compressed air = 90psi (min.)
NOTE: Controls by others.

- Driven by electric gear motor
- Position indicated by proximity switches.
NOTE: Customer must provide voltage required.
- Compressed air = 90psi (min.)
NOTE: Controls by others.

- Driven by electric gear motor
- Position indicated by proximity switches.
NOTE: Customer must provide voltage required.
NOTE: Controls by others.

OPTIONS

- 304ss product contact parts
- Different topcoat paint
NOTE: RAL # required
- Weather-proofing
- Additional "man-hole-cover"
- Different connections

- 304ss product contact parts
- Blanking off of unused outlets
- Different topcoat paint
NOTE: RAL # required
- Weather-proofing
- Additional "man-hole-cover"
- Different connections
- Mounting = vertical (standard), inverted, horizontal

- 304ss product contact parts
- Different topcoat paint
NOTE: RAL # required
- Weather-proofing
- Additional "man-hole-cover"
- Mounting = vertical (standard), inverted, horizontal

- 304ss product contact parts
- Different topcoat paint
NOTE: RAL # required
- Weather-proofing
- Additional "man-hole-cover"
- Different connections
- Blanking off of unused outlets is NOT available.

(*) Not all number of outlets are available in all inlet/outlet sizes; see the JACOB TUBING product catalog for more details.
NOTE: All turn-heads with (8) or more outlets will be provided standard with two (2) man-holes.

Optimize your processing with Jacob Multi-Port Distributors

Original Jacob modular tubing systems are used worldwide throughout the industry for bulk goods, dust extraction and clean air handling. The main customers belong to the food and

feed industry (coffee, cocoa, chocolate, sugar, grain processing, tobacco), the chemical, pharmaceutical and plastic industry, the automotive manufacturing and the paper industry.

Maximize your benefits with Original Jacob Components

- Quick order turnaround from stock
- The modular design minimizes assembly and dismantling time
- Complete service with individual technical consulting to optimize your application.
- Top characteristics in tightness and shock explosion certified up to 3 bar.
- Top quality of the market leader.
- Special requirements available on request.
- Worldwide presence of the JACOB GROUP.

JACOB TUBING L.P.
3948 Willow Lake Blvd.
Memphis, TN 38118
USA
T +1 901 566 1110
F +1 901 566 1910
info@jacob-tubing.com
www.jacob-tubing.com



NO. 1 IN TUBING SYSTEMS