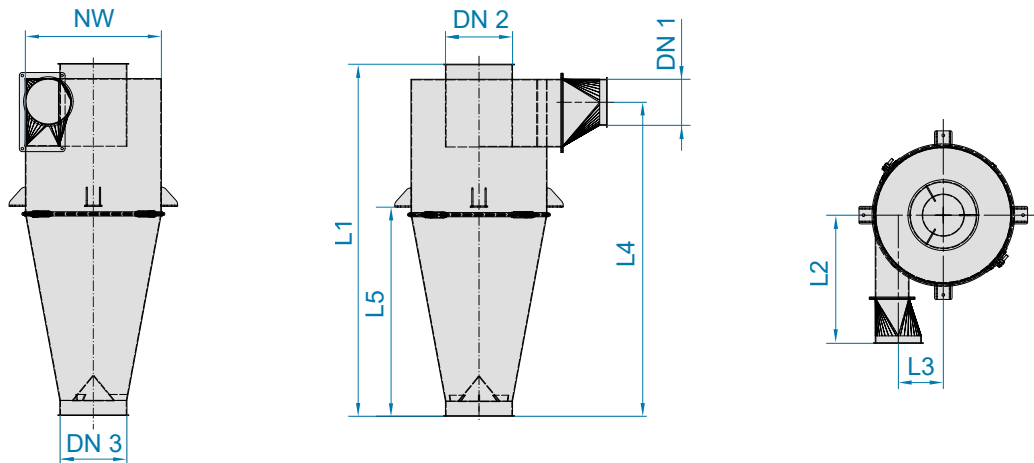


WE PUT OUR OWN SPIN ON IT:
RELIABLE PARTICLE SEPARATION
WITH CYCLONES



Technical data

The cyclones are part of the JACOB modular pipework system. They can be integrated into your system as needed.



**Cyclones, diameters 250 – 1000 mm,
Inlet and outlets with 6 mm lip, powder-coated RAL 7032, galvanised,
Stainless steel 1.4301 (AISI 304) shotblasted, 1.4571 (AISI 316Ti) pickled and passivated**

NW	DN 1	DN 2	DN 3	L1	L2	L3	L4	L5	Volumetric flow	Pressure loss	Separation rate 95 % at particle size	2 mm powder-coated
mm									m ³ /h	Pa	µm	Item no.
250	80	120	120	650	262	87	560	375	407	1020	>10	4202002512255
300	100	150	150	800	302	102	699	475	636	1012	>10	4202003012255
350	120	175	175	925	347	117	814	550	865	924	>12	4202003512255
400	140	200	200	1050	386	131	931	625	1130	980	>12	4202004012255
450	150	224	224	1170	426	151	1044	695	1418	984	>13	4202004512255
500	175	250	250	1300	471	164	1161	775	1766	980	>13	4202005012255
560	200	280	280	1450	516	181	1299	865	2216	980	>14	4202005612255
630	224	300	300	1550	576	204	1389	895	2543	975	>15	4202006312255
710	250	350	350	1800	647	232	1474	1040	3462	978	>16	4202007112255
800	280	400	400	2050	717	262	1710	1200	4522	980	>18	4202008012255
900	300	450	450	2300	802	302	1949	1350	5723	980	>18	4202009012255
1000	350	500	500	2550	887	327	2174	1500	7065	980	>19	4202010012255

**Cyclones, diameters 1120 – 2300 mm,
Inlet and outlets with welded-on flanges, powder-coated RAL 7032, galvanised,
Stainless steel 1.4301 (AISI 304) shotblasted, 1.4571 (AISI 316Ti) pickled and passivated**

NW	DN 1	DN 2	DN 3	L1	L2	L3	L4	L5	Volumetric flow	Pressure loss	Separation rate 95 % at particle size	3 mm powder-coated
mm									m ³ /h	Pa	µm	Item no.
1120	400	560	560	2900	987	362	2449	1650	8862	1003	>19	4202011212255*
1120	400	560	560	2900	987	362	2449	1650	8862	1003	>19	4203011212255
1250	450	630	630	3250	1097	402	2774	1900	11216	998	>21	4202012512255*
1250	450	630	630	3250	1097	402	2774	1900	11216	998	>21	4203012512255
1400	500	710	710	3650	1217	452	3149	2130	14246	980	>22	4203014012255
1600	560	800	800	4100	1387	522	3569	2400	18086	980	>24	4203016012255
1800	630	900	900	4600	1552	587	4034	2700	22891	980	>25	4203018012255
2000	710	1000	1000	5100	1717	647	4493	3000	28260	980	>28	
2300	800	1120	1120	5850	1967	752	5198	3450	37374	980	>29	

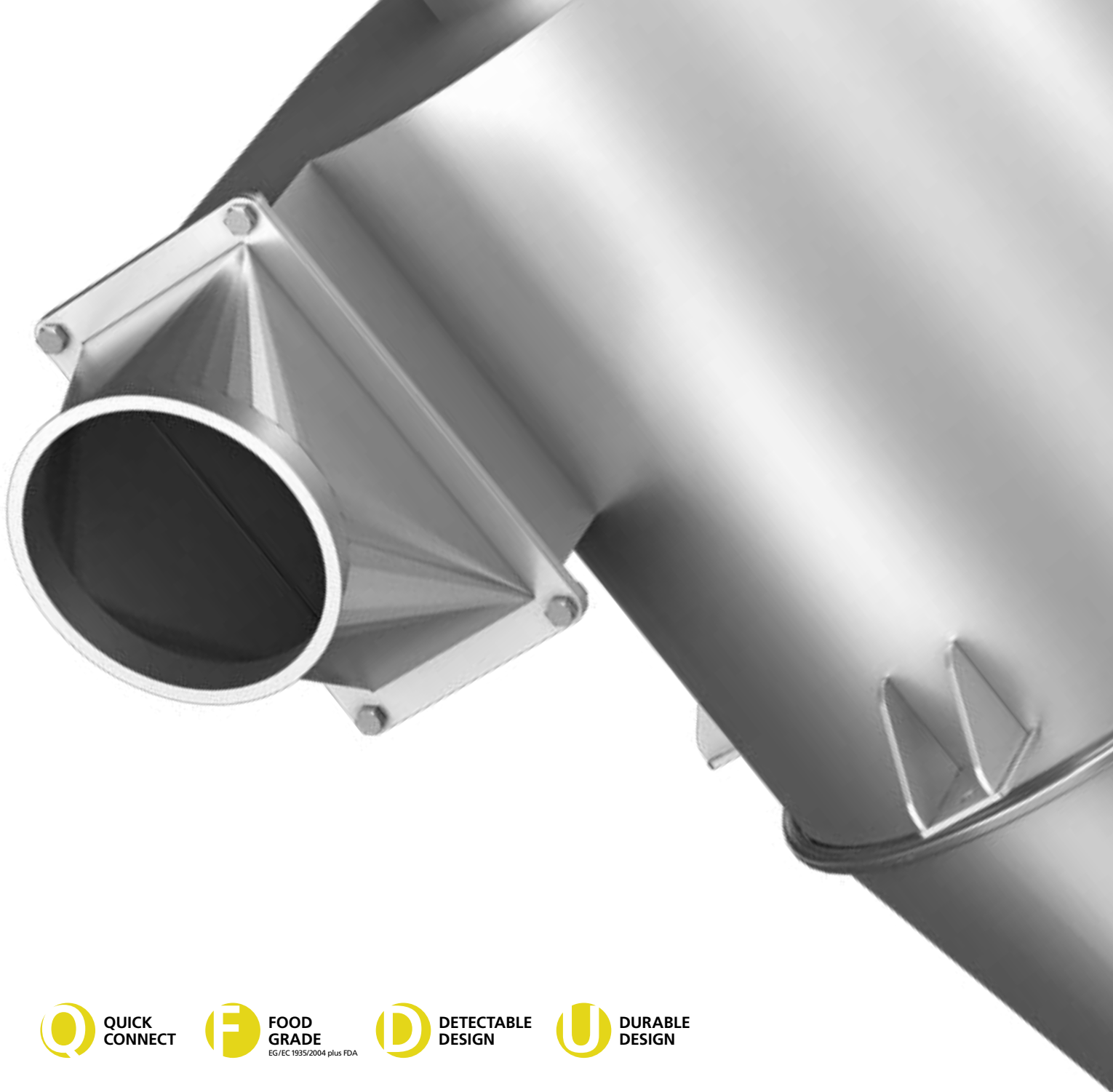
* 2 mm

The volume flow is related to a flow velocity within the pipework system of 20–24 m/s at the connection to the cyclone. Separation rate and pressure loss are based on a material load of 1 kg/m³.



3 mm powder-coated	2 mm galvanised	3 mm galvanised	2 mm CrNi steel shotblasted	2 mm CrNi steel pickled and passivated
Item no.	Item no.	Item no.	Item no.	Item no.
4203002512255	4202002522255	4203002522255	4202002532255	4202002542255
4203003012255	4202003022255	4203003022255	4202003032255	4202003042255
4203003512255	4202003522255	4203003522255	4202003532255	4202003542255
4203004012255	4202004022255	4203004022255	4202004032255	4202004042255
4203004512255	4202004522255	4203004522255	4202004532255	4202004542255
4203005012255	4202005022255	4203005022255	4202005032255	4202005042255
4203005612255	4202005622255	4203005622255	4202005632255	4202005642255
4203006312255	4202006322255	4203006322255	4202006332255	4202006342255
4203007112255	4202007122255	4203007122255	4202007132255	4202007142255
4203008012255	4202008022255	4203008022255	4202008032255	4202008042255
4203009012255	4202009022255	4203009022255	4202009032255	4202009042255
4203010012255	4202010022255	4203010022255	4202010032255	4202010042255

3 mm spray-primed	3 mm galvanised	3 mm CrNi steel shotblasted	3 mm CrNi steel pickled and passivated
Item no.	Item no.	Item no.	Item no.
	4202011222255*	4202011232255*	4202011242255*
	4203011222255	4203011232255	4203011242255
	4202012522255*	4202012532255*	4202012542255*
	4203012522255	4203012532255	4203012542255
	4203014022255	4203014032255	4203014042255
	4203016022255	4203016032255	4203016042255
	4203018022255	4203018032255	4203018042255
4203020012255	4203020022255	4203020032255	4203020042255
4203023012255	4203023022255	4203023032255	4203023042255



**QUICK
CONNECT**



**FOOD
GRADE**
EG/EC 1935/2004 plus FDA



**DETECTABLE
DESIGN**



**DURABLE
DESIGN**

During industrial processes, it is often necessary to remove particles from the air or gas flow. This is done when raw materials are recovered, but also when the air flow is cleaned. The JACOB portfolio includes cyclones for this purpose in its standard range. These set the air flow in motion and rotate it. Particles are separated in the process using centrifugal force. Since cyclones are passive components, their effectiveness depends on numerous factors such as the performance of the

fan. Our experts would be pleased to help you with their experience and assist you with selecting the right cyclone. Our standard range of JACOB cyclones is available in diameters ranging from 250-1000 mm with lipped connections, and cyclones with diameters from 1120-2300 mm with welded-on flanges. If our standard range does not have the right size for a special challenge that you have, JACOB will manufacture cyclones to your specification.

FR. JACOB SÖHNE GMBH & CO. KG

Niedernfeldweg 14
32457 Porta Westfalica
Germany
T+49 571 9558-201
sales@jacob-rohre.de
www.jacob-pipesystems.com

JACOB

NO. 1 IN PIPEWORK SYSTEMS