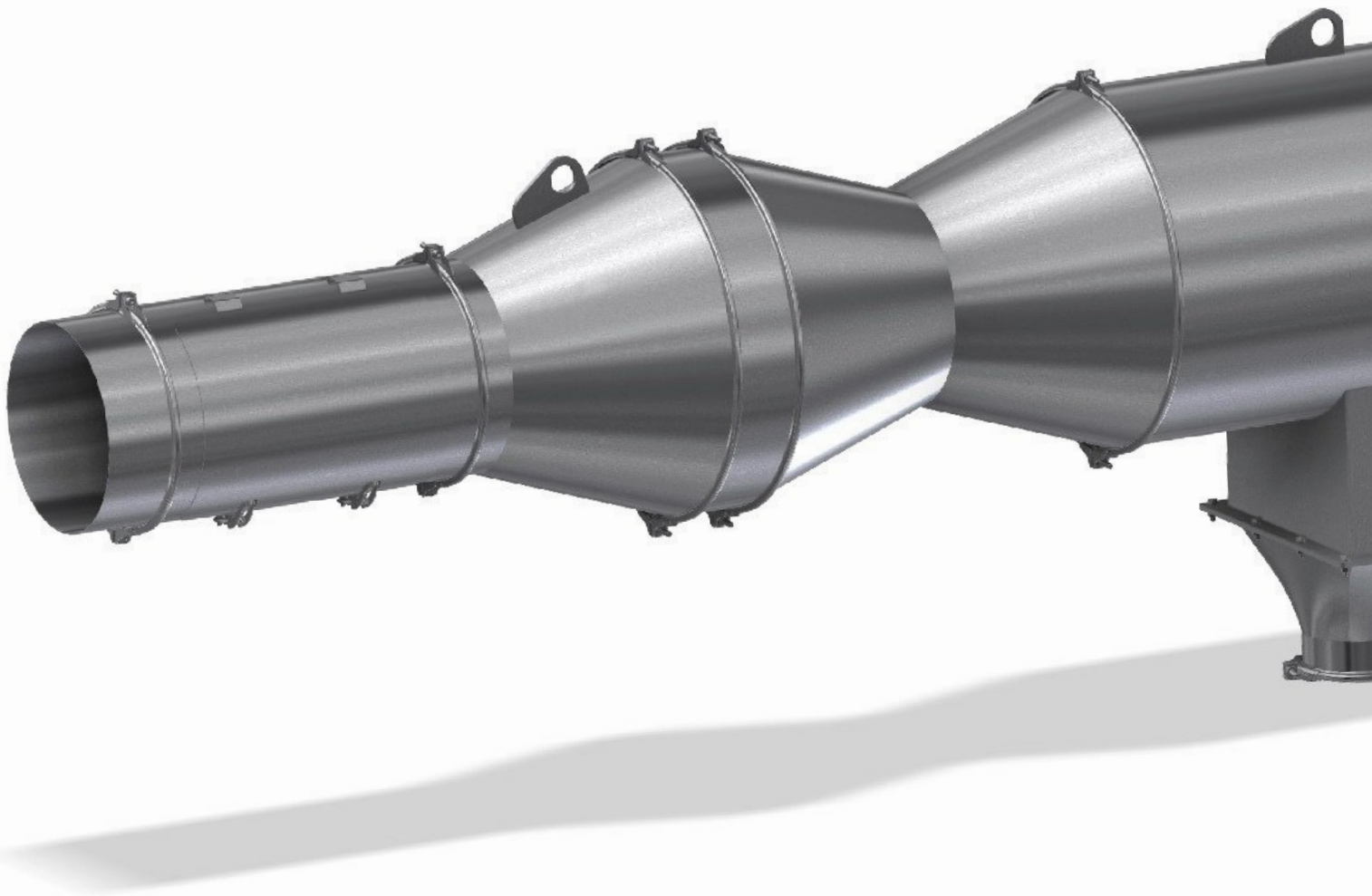
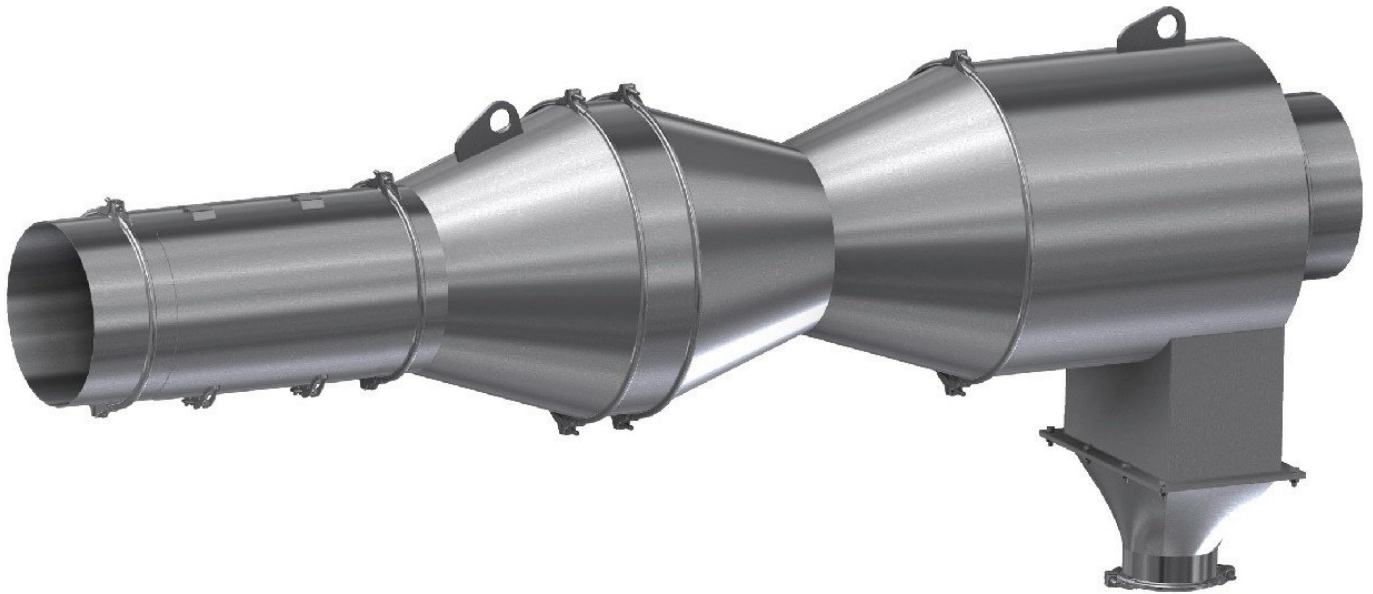


# EASY ASSEMBLY, A CLEAN RESULT: THE HORIZONTAL CYCLONE



# SPACE-SAVING, PRACTICAL, PERFECT



The patented horizontal cyclone from JACOB fits into almost every tubing system. Its design makes it easy to integrate with straight tubes. This makes it the first choice when retrofitting a cyclone. But it also proves its worth in new performance systems, where it reliably cleans the airflow of particles and sparks.

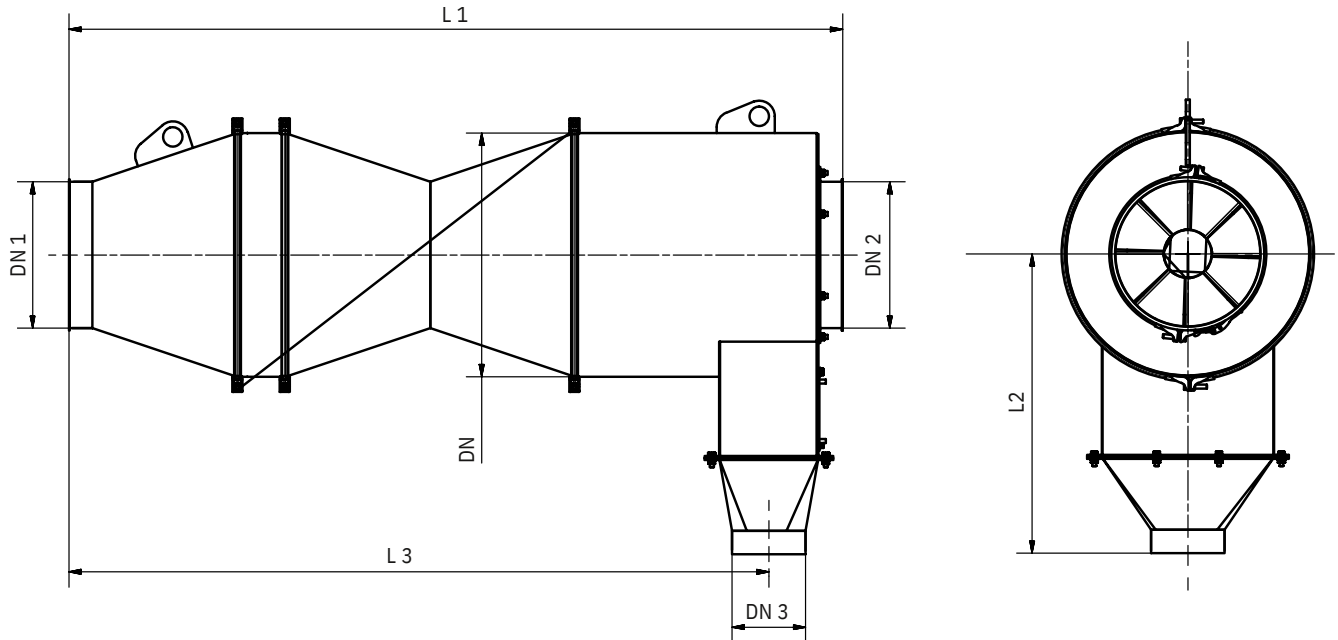
## **Ingeniously horizontal. For use in these applications:**

These horizontal cyclones belong to the JACOB modular tubing system. They can be integrated into your system as required:

- As a pre-filter, to clean the air of dust particles, and thus extend the life of filter systems
- To separate large-volume, low-density particles, such as in the medical industry

## **Your advantages at a glance:**

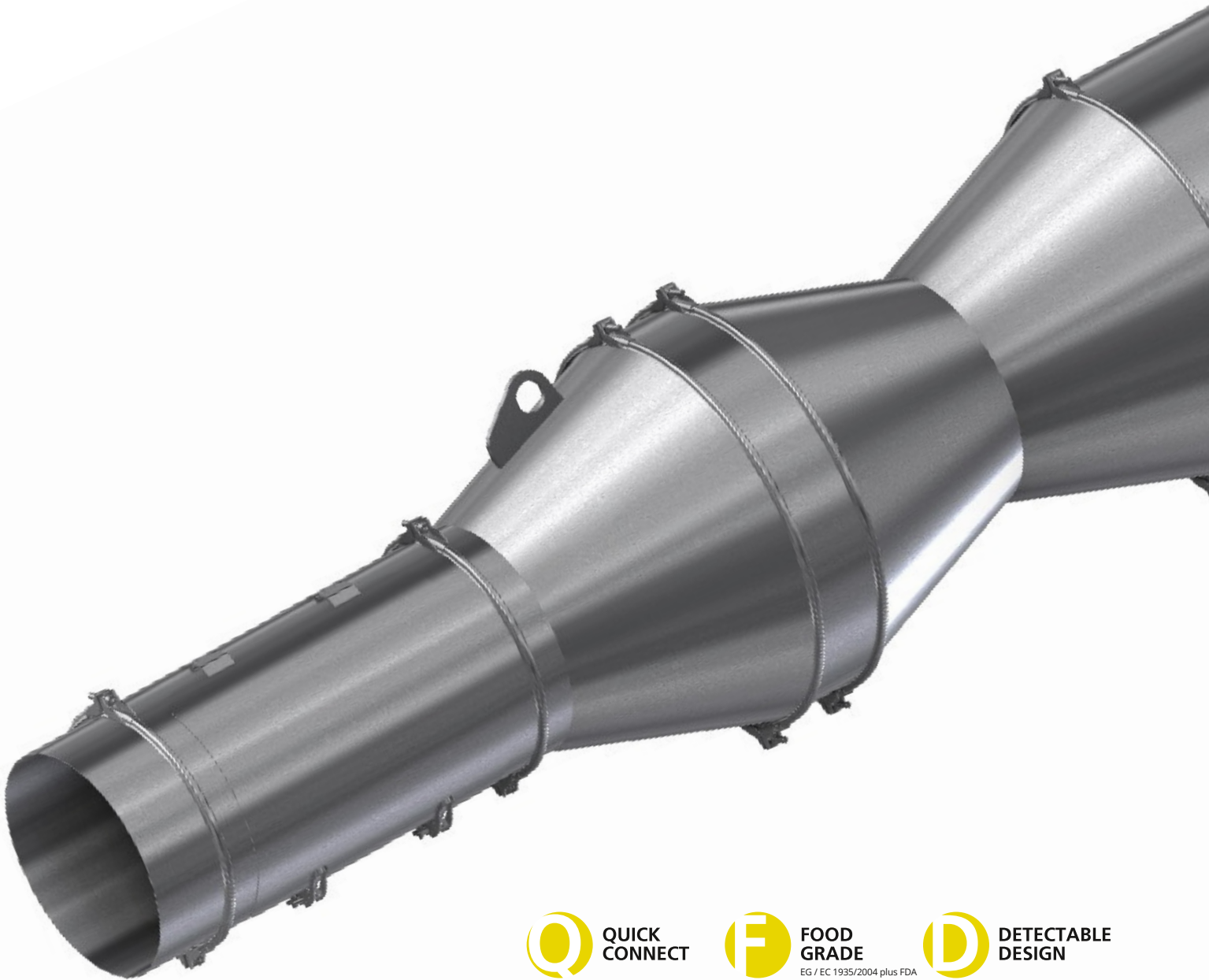
- Their elongated form is easy to integrate with straight pipes
- Their modular design makes light work of replacing worn components
- As passive components they do not require their own power supply
- Proven JACOB quality



Horizontal cyclone (dimensions for material thickness 1.5 mm)

DN	DN 1	DN 2	DN 3	L 1	L 2	L 3	Volumetric flow m <sup>3</sup> /h	Pressure loss Pa
125	80	80	80	480	205	405	360	1050
180	100	100	80	600	240	515	560	1050
200	120	120	80	700	270	610	810	1050
255	150	150	80	850	360	750	1270	1050
300	175	175	150	975	395	865	1730	1050
355	200	200	150	1100	430	980	2260	1050
400	224	224	150	1200	460	1075	2830	1050
400	250	250	150	1350	550	1215	3510	1050
500	300	300	150	1600	620	1450	5080	1050
560	350	350	150	1850	690	1680	6900	1050
630	400	400	350	2095	810	1910	9050	1050
720	450	450	350	2345	880	2145	11450	1050
800	500	500	350	2595	950	2375	14100	1050
1000	560	560	350	2900	1080	2660	17730	1050
1000	630*	630*	350*	3250	1180	2990	22450	1050
1255	710*	710*	350*	3655	1290	3365	28500	1050
1400	800*	800*	350*	4585	1515	4260	36200	1050

\*Material thickness 2 mm



**QUICK  
CONNECT**



**FOOD  
GRADE**  
EG / EC 1935/2004 plus FDA



**DETECTABLE  
DESIGN**

The new horizontal cyclone from JACOB combines reliable airflow cleaning with easy assembly. With its horizontal orientation, it is easy to integrate into existing tubing systems without requiring any further modification. Its intelligent design also facilitates the quick replacement of individual worn components. The horizontal cyclone is primarily used as a pre-separator for filter systems or as a separator for low-density particles, such as in plastics processing. This makes the horizontal cyclone the ideal complement to our current range of vertical cyclones.

The basic principle is simple: An impeller sets the airflow in a rotating motion, and a constriction accelerates this rotation. Due to the centrifugal forces, particles are driven outwards, decelerated at the inner wall and extracted through the discharge. The clean airflow passes through the dip tube into the downstream tubing system. The horizontal cyclone is available in connection diameters from 80 to 800 mm for a volumetric flow of 360 to 36,200 m<sup>3</sup>/h at an air velocity of 20 m/s.

## JACOB TUBING, LP

T +1 901 5661110

3948 Willow Lake Blvd.  
Memphis, TN 38118

insidesales@jacob-tubing.com

www.jacob-tubing.com

## ALAN BIEBUYCK

*Territory Sales Representative  
IL, IN, KY, OH, MI, WI*

abiebuyck@jacob-tubing.com

(901) 301-9031

## AUSTIN KNEPP

*Territory Sales Representative  
TX, LA, AR, OK*

aknepp@jacob-tubing.com

(901) 426-7953

## STEVE ELLIS

*Technical and Territory Sales  
Representative  
WA, OR, ID, British Columbia  
(Canada)*

sellis@jacob-tubing.com

(901) 628-4538

## ALLISON ROTH

*Sales Manager*

aroth@jacob-tubing.com

(901) 566-1110

**JACOB**

NO. 1 IN TUBING SYSTEMS